



**Installation for Professionals
and those who want to
become one!**

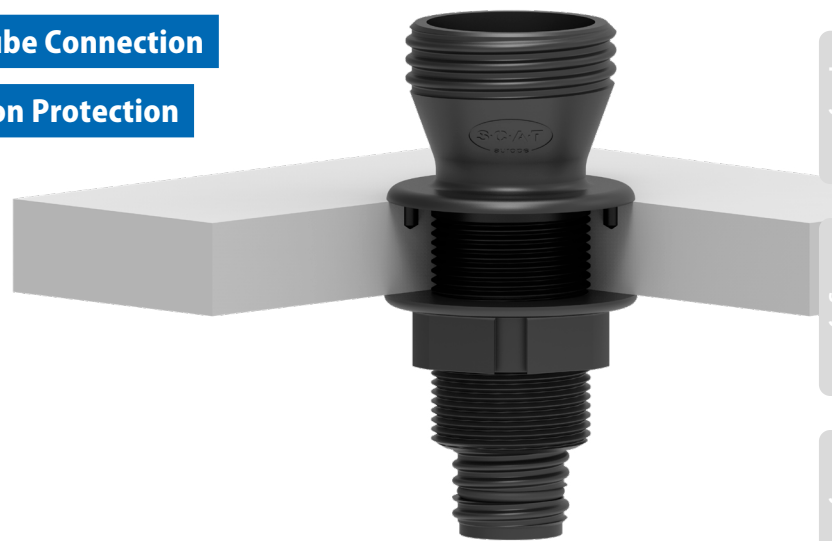
SymLine feedthroughs connect filling units from the fume cupboard or laboratory bench with the collection stations for liquid waste located below the work area.

More space in the work area means more cleanliness and safety in daily laboratory work.

Feedthroughs

The straight Way to Disposal without Detours.

- ✓ Table and Wall Feedthroughs
- ✓ Pipe and Tube Connection
- ✓ Anti-rotation Protection



Filling Units

Feedthroughs

Pipe System

Tubing System

Safety Waste Caps

Ventilation

Containers

Level Control

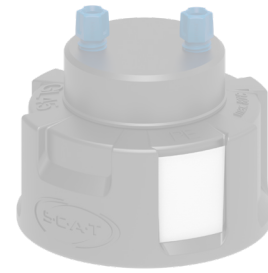
Safety Cabinets

Feedthroughs

Table Feedthroughs

Cleverly integrated

The table feedthrough can be integrated into almost all work areas and is the perfect connection to the subsequent substructure in fume hoods.



A 106 455

Table feedthrough

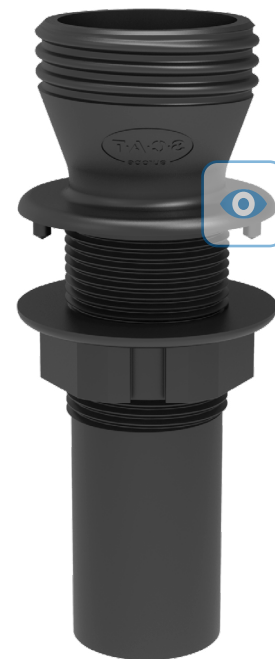
- Material = PE-HD-EL
- 1x GL 45 (m)
- 1x GL 25 (m)



B 106 450

Table feedthrough

- Material = PE-HD-EL
- 1x GL 45 (m)
- 1x (OD) Ø 32 mm



SCAT
SYMLINE

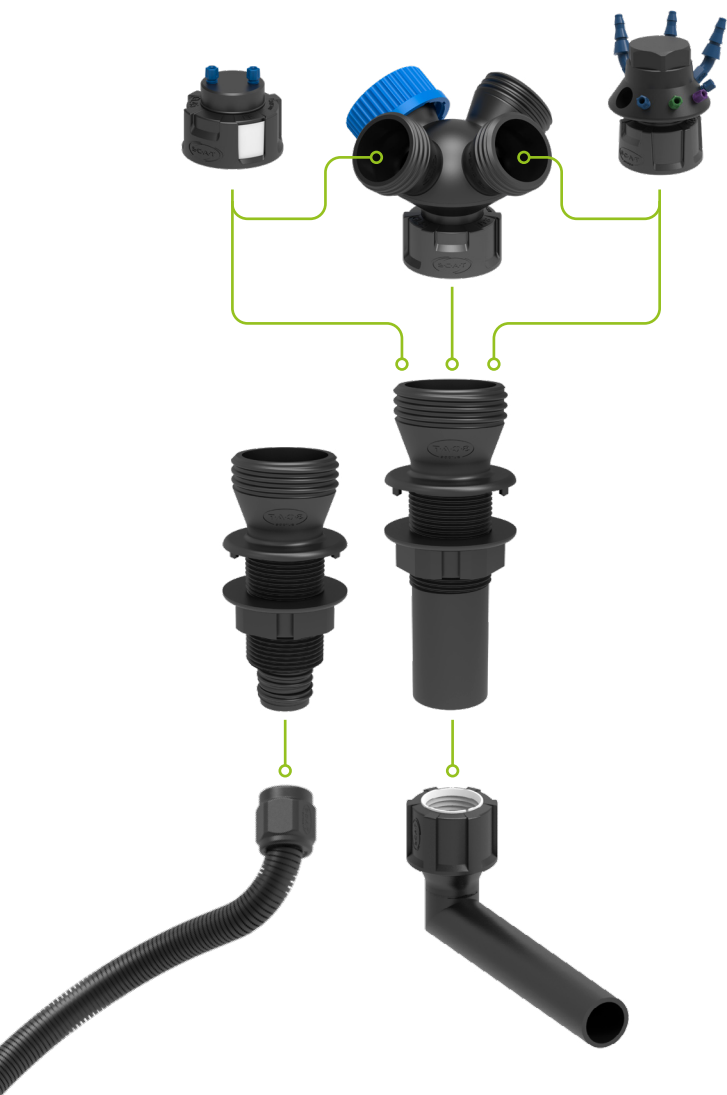
Safe Construction
Fixed through anti-rotation protection. Please do not remove them. Without them, the table feedthrough can rotate when handling.



Fig.	Part No.	Description	Material
A	106 455	Table feedthrough GL 45 (m) / GL 25 (m)	PE-HD-EL
B	106 450	Table feedthrough GL 45 (m) / Ø 32 mm OD	PE-HD-EL

Feedthroughs

Table Feedthroughs



G 106 400
Table feedthrough
 ■ Material = PE-HD-EL
 ■ 1x GL 45 (m)
 ■ 1x G 1/2" (f)



>>

Feedthroughs with direct HPLC Connection

You will find in chapter filling units on **pages 24-31**.

Pipes and Tubes
 you will find on **pages 40-53**.

Fig.	Part No.	Description	Material
G	106 400	Table feedthrough with G 1/2" ID (f), 33.5 mm OD on GL 45 (m)	PE-HD-EL

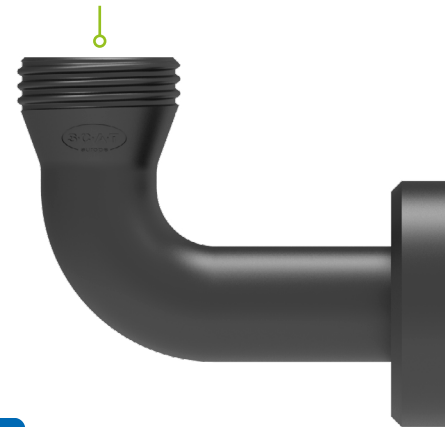
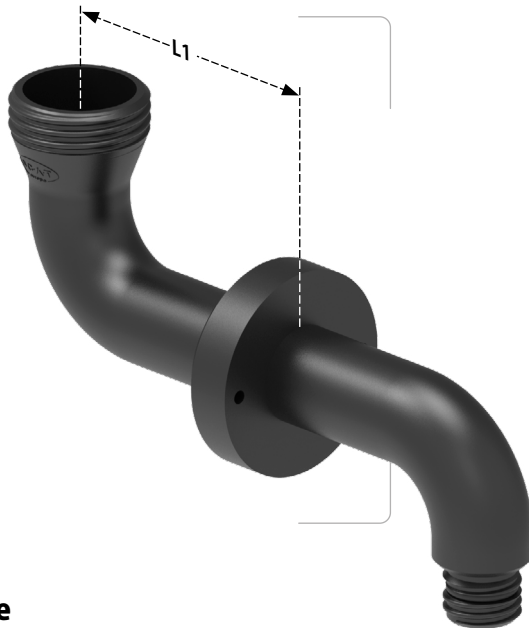
- Filling Units
- Feedthroughs**
- Pipe System
- Tubing System
- Safety Waste Caps
- Ventilation
- Containers
- Level Control
- Safety Cabinets

Feedthroughs Wall Mounts

A 106 612

Rear Wall Mount

- GL 45 (m)
- GL 25 (m)
- Material = PE-HD-EL
- L1 = 99 mm



More free work space

With the rear wall mount, you make optimal use of your work area and there is more space for samples and structures, disposal can take place directly in the fume hood.



XL Version

■ Also suitable for ARNOLD type funnels.

B 106 601

XL Rear Wall Mount

- GL 45 (m)
- GL 25 (m)
- Material = PE-HD-EL
- L1 = 186.5 mm

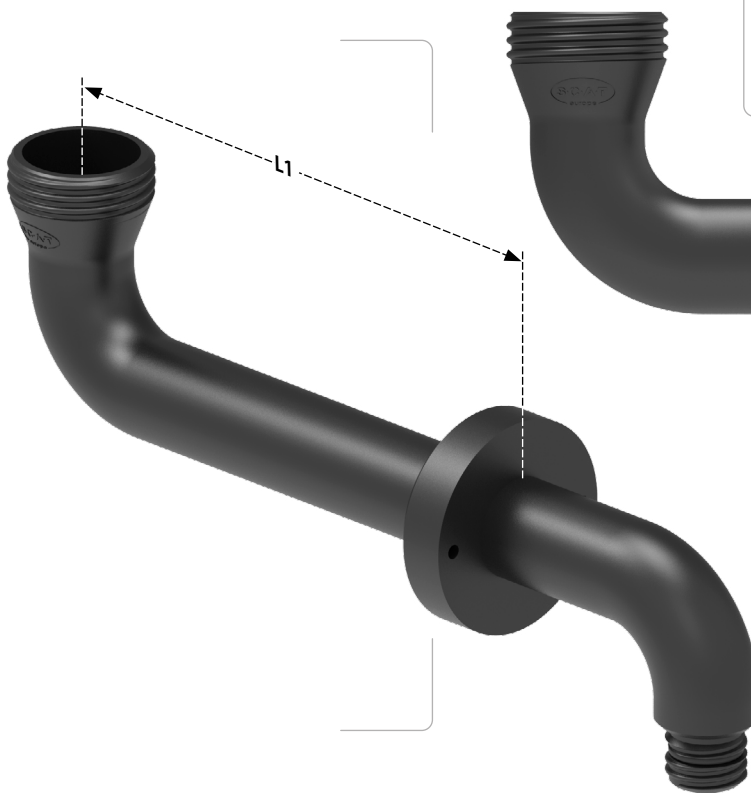


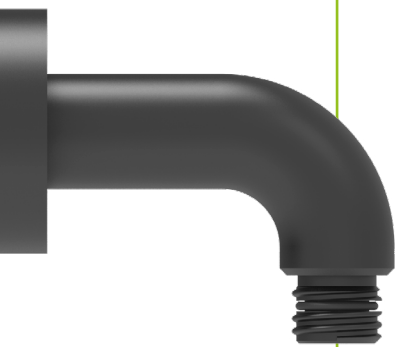
Fig.	Part No.	Description	Material
A	106 612	Rear wall mount, upper thread GL 45 (m), lower thread GL 25 (m), PE-HD electrostatic conductive, incl. mounting flange for rear wall borehole of 34 - 45 mm	PE-HD-EL
B	106 601	Rear wall mount, upper thread GL 45 (m), lower thread GL 25 (m), with mounting-flange, long shaft for funnel ARNOLD (317 633 & 317 638), with two bends of 90° and (OD) 32 mm, PE-HD elec. cond.	PE-HD-EL

Feedthroughs Accessories



Wall Feedthrough

A The space-saving variant.



XL Version

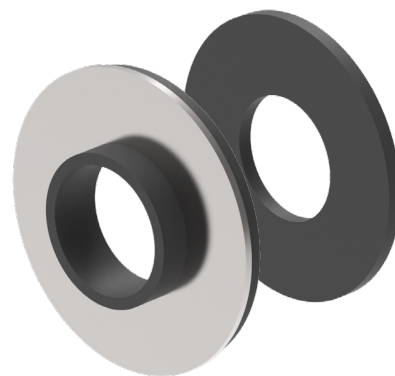
B Also suitable for ARNOLD type funnels.



C 121 211

Borehole reduction adapter

- (OD) 54 - 75 mm
- (ID) 35 mm



D 106 680

Angled adapter

- Angled adapter GL 25 (f) to GL 25 (m)
- PE-HD electrostatic conductive - for mounting on desktop mount with GL 25 connection



Fig.	Part No.	Description	Material
C	121 211	Borehole reduction adapter, (ID) 35 mm, (OD) 54 - 75 mm, PE-HD electrostatic conductive	PE-HD-EL
D	106 680	Angled adapter GL 25 (f) to GL 25 (m), PE-HD - for mounting on desktop mount with GL 25 connection	PE-HD-EL

Filling Units

Feedthroughs

Pipe System

Tubing System

Safety Waste Caps

Ventilation

Containers

Level Control

Safety Cabinets