

Work with a flexible and safely closed Flow.

The SymLine tubing systems adapt to your laboratory equipment and can flexibly be integrated in the planning phase of new laboratory buildings or in existing work environments.

Liquid waste can flow from several work stations via tube elements to a central collection point.

Tubing System

As safe as flexible.

- ✓ Individually adaptable to any Laboratory
- ✓ Reaches every Corner
- ✓ High tensile Strength
- ✓ Permanently sealed

Filling Units

Feedthroughs

Pipe System

Tubing System

Safety Waste Caps

Ventilation

Containers

Level Control

Safety Cabinets

Tubing System FlexTube

A B C D 106 569

**FlexTube
GL 25 (f)**

- 2x GL 25 (f)
- Material = PTFE-EL



- Can be assembled - easy installation. If necessary, shorten tubes flexibly, then mount the optimized screw connection and seal.

- Fitting & bracket included

- Spiral inner wall
- Increased bending radius (> = 25 mm)

FlexTube, inner wall spiral

- PTFE for the best possible chemical resistance
- Electrostatic conductive <math> < 10^6 \Omega </math>
- \varnothing 19.8 mm outer diameter
- \varnothing 11.5 mm inner diameter

Installation guide

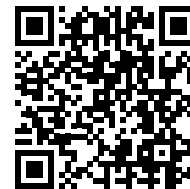


Fig.	Part No.	Description	Material
A	106 569	SymLine FlexTube GL 25 (f), length 600 mm, \varnothing 19.8 mm OD	PTFE-EL
B	106 568	SymLine FlexTube GL 25 (f), length 1000 mm, \varnothing 19.8 mm OD	PTFE-EL
C	106 567	SymLine FlexTube GL 25 (f), length 1500 mm, \varnothing 19.8 mm OD	PTFE-EL
D	106 566	SymLine FlexTube GL 25 (f), length 2500 mm, \varnothing 19.8 mm OD	PTFE-EL
	108 270	Grounding cable for SymLine FlexTube, with cable and clamp, length 3000 mm	

Tubing System FlexTube Pro

A B C D 106 575

**FlexTube Pro
GL 25 (f)**

- 2x GL 25 (f)
- Material = PTFE-EL

■ Fitting & bracket included

- Inner wall smooth
- Avoids deposits at the inner surface
- Bending radius (> = 60 mm)

- Can be assembled - easy installation. If necessary, shorten tubes flexibly, then mount the optimized screw connection and seal.



FlexTube Pro, inner wall smooth

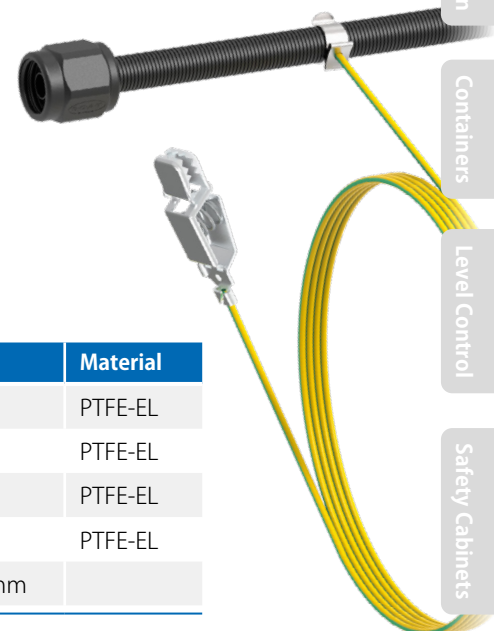
- PTFE for the best possible chemical resistance
- Electrostatic conductive <math>< 10^6 \Omega</math>
- \varnothing 16.9 mm outer diameter
- \varnothing 10.7 mm inner diameter

E 108 270

Grounding cable for tube

- Grounding cable with tube clip and clamp, 3 meter cable length.

Installation guide



All media-touching parts made of PTFE-EL

Fig.	Part No.	Description	Material
A	106 575	SymLine FlexTube Pro GL 25 (f), length 600 mm, \varnothing 16.9 mm OD	PTFE-EL
B	106 574	SymLine FlexTube Pro GL 25 (f), length 1000 mm, \varnothing 16.9 mm OD	PTFE-EL
C	106 573	SymLine FlexTube Pro GL 25 (f), length 1500 mm, \varnothing 16.9 mm OD	PTFE-EL
D	106 572	SymLine FlexTube Pro GL 25 (f), length 2500 mm, \varnothing 16.9 mm OD	PTFE-EL
E	108 270	Grounding cable for SymLine FlexTube, with cable and clamp, length 3000 mm	

Filling Units

Feedthroughs

Pipe System

Tubing System

Safety Waste Caps

Ventilation

Containers

Level Control

Safety Cabinets

Tubing System Connectors for FlexTubes

A 106 475

Shut-off valve, angled

- 1x GL 25 (f)
- 1x GL 25 (m)
- Dimensions:
60 x 86 x 36 mm
- Material = PTFE-EL

- Stops the flow of waste liquids into the canister. Drip-free canister change or emptying.

- Compatible with Safety Waste Caps, connectors, manifolds and the SymLine FlexTube's.



B 106 476

Y-Distributor

- 3x GL 25 (m)
- Dimensions:
68 x 69 x 36 mm
- Material = PE-HD-EL

- Merging two SymLine FlexTube's to one exit. Two 0.5 mm holes for wall mounting.

- Compatible with the SymLine FlexTube's.



Accessories

Safety Waste Caps..... page 56

Exhaust Filters..... page 68

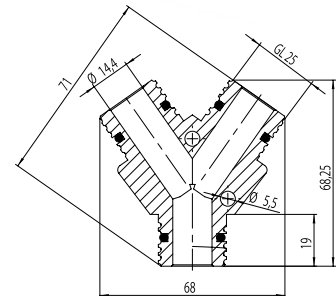
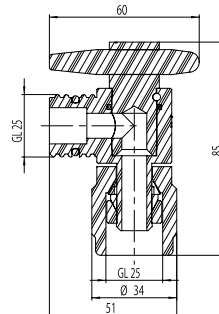
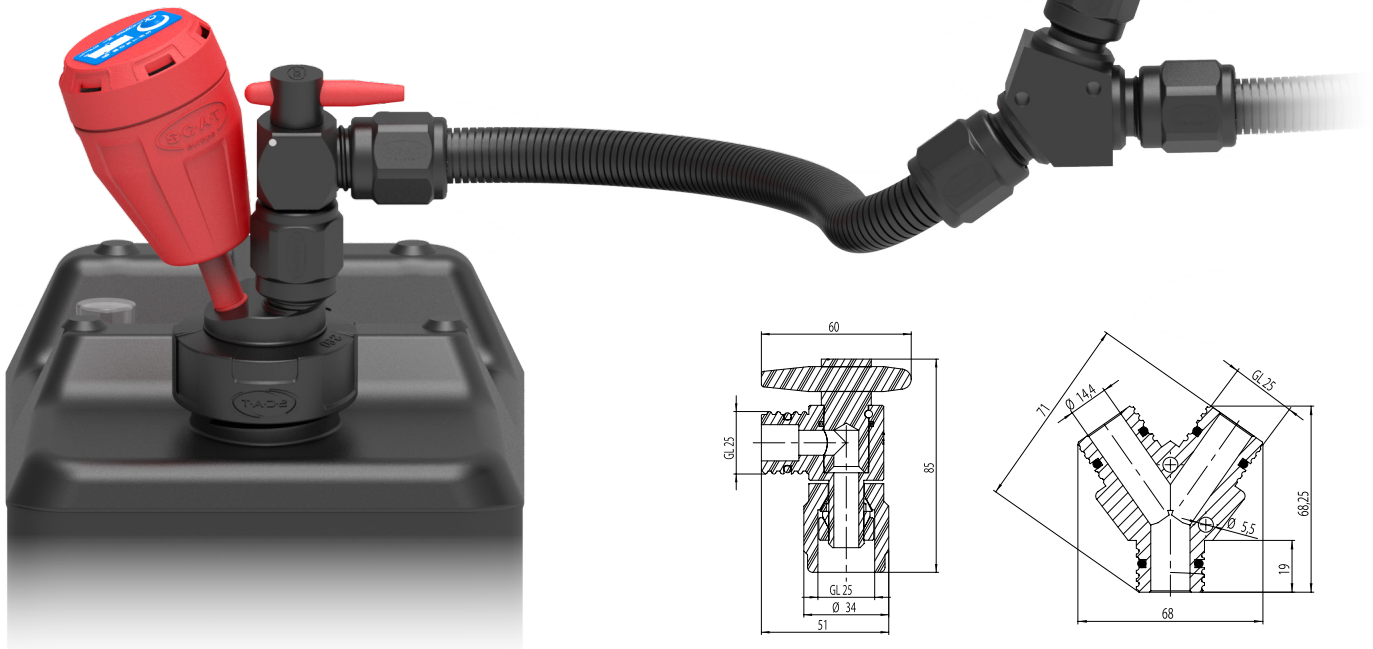


Fig.	Part No.	Description	Material
A	106 475	Shut-off, angled, 1x GL 25 (w) to 1x GL 25 (m), incl. wrench	PTFE-EL
B	106 476	Y-Distributor, 3x GL 25 (m), with 2 mounting holes	PE-HD-EL

Tubing System Connectors for FlexTubes

A 106 680**Angled adapter**

- 1x GL 25 (f)
- 1x GL 25 (m)
- Material = PE-HD-EL

**B** 106 620**Angled adapter**

- 1x GL 25 (f)
- 1x GL 25 (m)
- Material = PE-HD-EL

**C** 106 415**Thread adapter**

- GL 25 (m)
- G 1/2" (m)
- Material = PE-HD-EL

**D** 106 417**Thread adapter**

- 2x GL 25 (m)
- Material = PE-HD-EL

**E** 106 447**Thread adapter**

- GL 25 (m)
- G1/2" (f)
- Material = PE-HD-EL

**F** 106 523**Thread adapter**

- 2x GL 25 (f)
- Material = PE-HD-EL

**G** 106 539**Thread adapter**

- GL 25 (m)
- G3/4" (m)
- Material = PE-HD-EL

**H** 107 125**Distributor**

- 2x GL 25 (m)
- 1x GL 25 (f)
- Material = PE-HD-EL



Fig.	Part No.	Description	Material
A	106 680	Angled adapter GL 25 (f) to GL 25 (m), for mounting on desktop mount with GL 25 connection	PE-HD-EL
B	106 620	Angled adapter GL 25 (f) to GL 25 (m), for mounting on Safety Waste Cap with GL 25 connection	PE-HD-EL
C	106 415	Thread adapter, PE-HD electrostatic conductive, GL 25 (m) to G1/2" (m)	PE-HD-EL
D	106 417	Thread adapter, PE-HD electrostatic conductive, GL 25 (m) to GL 25 (m)	PE-HD-EL
E	106 447	Thread adapter, G1/2" (f) to GL 25 (m), PE-HD electrostatic conductive, with O-ring EPDM	PE-HD-EL
F	106 523	Thread adapter, GL 25 (f) to GL 25 (f), PE-HD electrostatic conductive	PE-HD-EL
G	106 539	Thread adapter, GL 25 (m) to G3/4" (m), PE-HD electrostatic conductive	PE-HD-EL
H	107 125	Distributor, PE electrostatic conductive, 1x GL 25 (f) to 2x GL 25 (m)	PE-HD-EL

Filling Units

Feedthroughs

Pipe System

Tubing System

Safety Waste Caps

Ventilation

Containers

Level Control

Safety Cabinets