



Trust SymLine - The Market Leader - for safe Disposal.

The SymLine pipe systems adapt to your laboratory equipment and can flexibly be integrated in the planning phase of new laboratory buildings or in existing work environments.

Liquid waste can flow from several work stations via pipe elements to a central collection point.

Pipe System

The safe Way to Disposal.

- ✓ Individually adaptable to any Laboratory
- ✓ Reaches every Corner
- ✓ High tensile Strength
- ✓ Permanently sealed



Filling Units

Feedthroughs

Pipe System

Tubing System

Safety Waste Caps

Ventilation

Containers

Level Control

Safety Cabinets

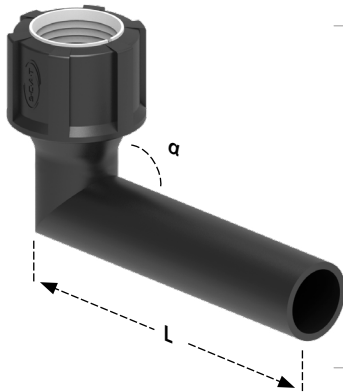
Pipe System

Connection Pipes, angled

A 106 430

Connection pipe angled

- 1x (ID) Ø 32 mm
- 1x (OD) Ø 32 mm
- L = 150 mm
- $\alpha = 2\%$
- Material = PE-HD-EL



Connection Pipes, angled, with incline

- Screw connection with Ø 32 mm inner diameter, end piece with Ø 32 mm outer diameter
- $\alpha = 2\%$ incline of the tube
- PE-HD electrostatic conductive
- Can be combined with desktop mounts, connectors and grounding clip

B 106 438

Connection pipe angled

- 1x (ID) Ø 32 mm
- 1x (OD) Ø 32 mm
- L = 200 mm
- $\alpha = 2\%$
- Material = PE-HD-EL

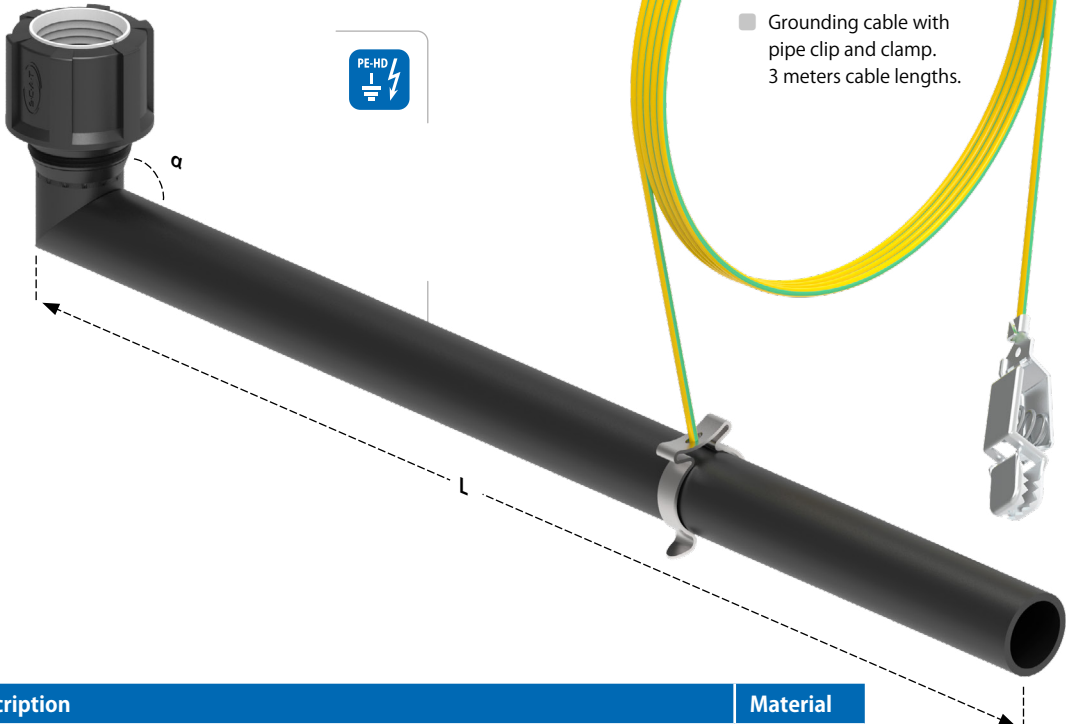


Angled pipe pieces connected to feedthroughs, serve as the start of each disposal route below the work area

C 106 440

Connection pipe angled

- 1x (ID) Ø 32 mm
- 1x (OD) Ø 32 mm
- L = 500 mm
- $\alpha = 2\%$
- Material = PE-HD-EL



D 108 176

Grounding clip for pipe

- Grounding cable with pipe clip and clamp. 3 meters cable lengths.

Fig.	Part No.	Description	Material
A	106 430	Connection pipe angled, 1x (ID) Ø 32 mm, 1x (OD) Ø 32 mm, length 150 mm	PE-HD-EL
B	106 438	Connection pipe angled, 1x (ID) Ø 32 mm, 1x (OD) Ø 32 mm, length 200 mm	PE-HD-EL
C	106 440	Connection pipe angled, 1x (ID) Ø 32 mm, 1x (OD) Ø 32 mm, length 500 mm	PE-HD-EL
D	108 176	Grounding clip for Ø 32 mm pipe, with cable and clamp, length 3 m	

Pipe System

Connection Pipes, straight

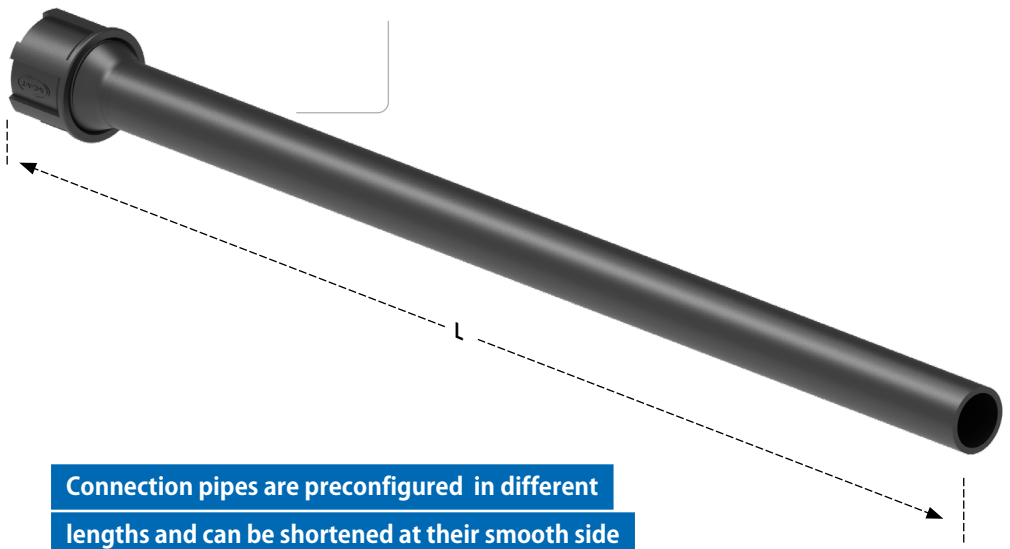
Connection Pipes, straight

- Screw connection with \varnothing 32 mm inner diameter, end piece \varnothing 32 mm outer diameter
- PE-HD electrostatic conductive
- Can be combined with angled connection pipes, connection pieces and grounding clip

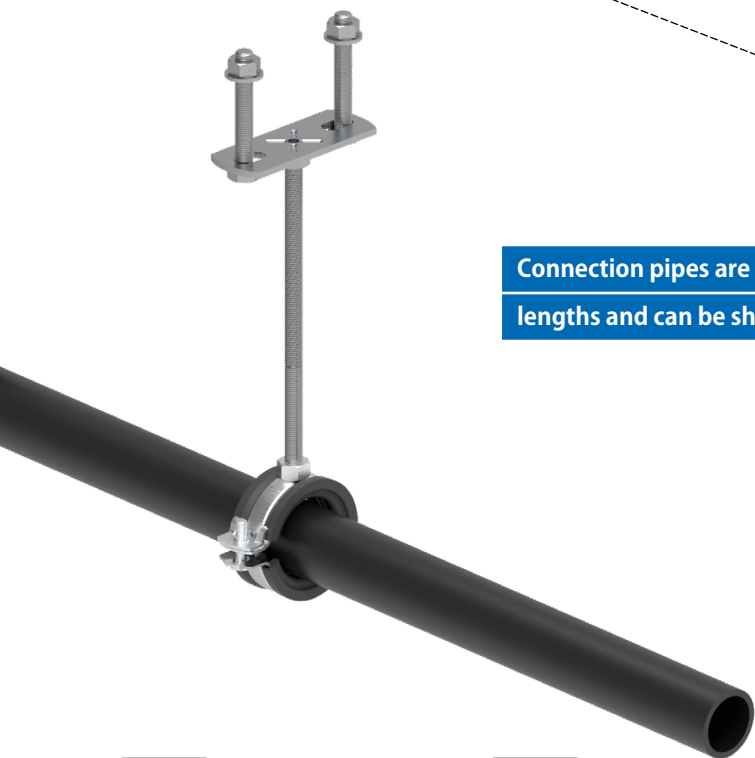
A 106 690

Connection pipe straight

- 1x (ID) \varnothing 32 mm
- 1x (OD) \varnothing 32 mm
- L = 600 mm
- Material = PE-HD-EL



Connection pipes are preconfigured in different lengths and can be shortened at their smooth side



SCAT SYMLINE

Flexible length

With a suitable pipe cutter, you can adjust the length of the pipes as needed. Shorten the smooth side of the tubes to the desired length.

B 106 609

Attachment for pipe system

- including screws



Fig.	Part No.	Description	Material
A	106 690	Connection pipe, straight, 1x (ID) \varnothing 32 mm, 1x (OD) \varnothing 32 mm, length 600 mm	PE-HD-EL
	106 700	Connection pipe, straight, 1x (ID) \varnothing 32 mm, 1x (OD) \varnothing 32 mm, length 1200 mm	PE-HD-EL
B	106 609	Attachment for pipe system \varnothing 32 mm	

Filling Units

Feedthroughs

Pipe System

Tubing System

Safety Waste Caps

Ventilation

Containers

Level Control

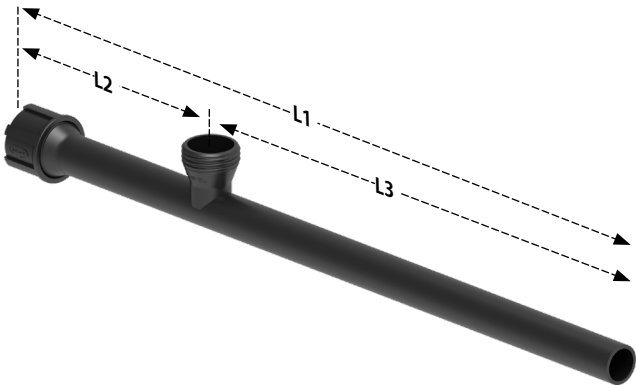
Safety Cabinets

Pipe System

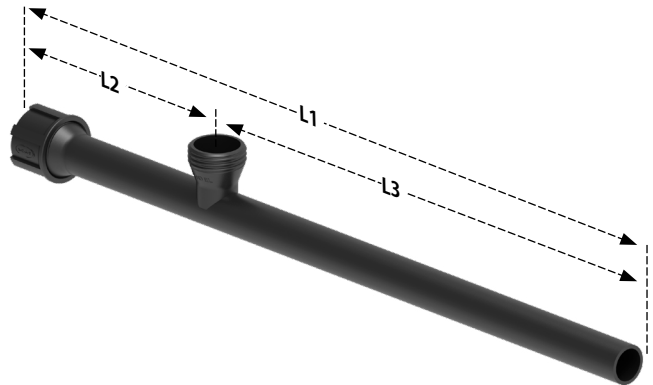
Connection Pipes, straight

A 106 689**SymLine Extension**

- Ø 32 mm pipe
- L1 = 600 mm / L2 = 200 mm / L3 = 400 mm
- 1 Connection for GL 45
- Material = PE-HD EL

**B** 106 732**SymLine Extension**

- Ø 32 mm pipe
- L1 = 1200 mm / L2 = 200 mm / L3 = 1000 mm
- 1 Connection for GL 45
- Material = PE-HD EL

**C** 106 688**SymLine Basic 32 pipe**

- Ø 32 mm pipe
- L1 = 310 mm / L2 = 200 mm / L3 = 400 mm
- 1 Connection for GL 45
- Material = PE-HD EL

**D** 106 713**T-Piece for pipes**

- 1x (ID) Ø 32 mm
- 1 Connection for GL 45
- Material = PE-HD EL



Fig.	Part No.	Description	Material
A	106 689	Connection pipe, straight, 1x (ID) Ø 32 mm, 1x (OD) Ø 32 mm, length 600 mm	PE-HD-EL
B	106 732	Connection pipe, straight, 1x (ID) Ø 32 mm, 1x (OD) Ø 32 mm, length 1200 mm	PE-HD-EL
C	106 688	SymLine FLEX - Basic 32 pipe	PE-HD-EL
D	106 713	T-piece, 1x (ID) 32 mm, 1x GL 45 (m), incl. GL 45 screw/blind cap	PE-HD-EL

Pipe System Connectors

A 106 427
Connector for pipes
 ■ 2x (ID) Ø 32 mm
 ■ Material = PE-HD EL



B 106 426
T-Piece for pipes
 ■ 3x (ID) Ø 32 mm
 ■ Material = PE-HD EL



C 106 458
T-Piece for pipes
 ■ 2x (ID) Ø 32 mm
 ■ 1x GL 25
 ■ Material = PE-HD EL



D 106 725
T-Piece for pipes
 ■ 3% decline towards outlet
 ■ 2x (ID) Ø 32 mm
 ■ 1x GL 25
 ■ Material = PE-HD EL



Fig.	Part No.	Description	Material
A	106 427	Connector, straight, (ID) 32 mm	PE-HD-EL
B	106 426	T-piece, 3x (ID) 32 mm	PE-HD-EL
C	106 458	T-piece for pipe, 2x (ID) 32 mm, 1x GL 25 (m)	PE-HD-EL
D	106 725	T-piece with 2% angle bothsides for pipe, 2x (ID) 32 mm, 1x GL 25 (m)	PE-HD-EL

- Filling Units
- Feedthroughs
- Pipe System
- Tubing System
- Safety Waste Caps
- Ventilation
- Containers
- Level Control
- Safety Cabinets

Pipe System Connectors

A 106 712

T-Piece for pipes

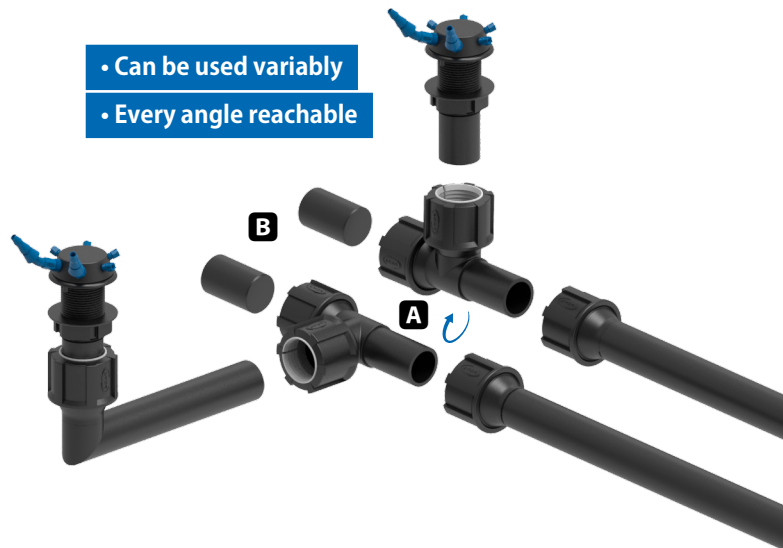
- 2x (ID) Ø 32 mm
- 1x (OD) Ø 32 mm
- Dimensions: 120 x 93 x 56 mm
- Material = PE-HD-EL
- Can be combined with table feedthrough, angled and straight connection pipes



Connectors

- Screw connection with Ø 32 mm inner diameter, end piece Ø 32 mm outside diameter
- PE-HD electrostatic conductive
- Can be combined with pipe and tube system

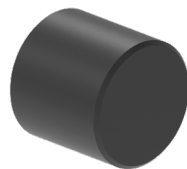
- Can be used variably
- Every angle reachable



B 106 423

Blind plug

- (OD) Ø 32 mm
- Dimensions: 50 mm
- Material = PE-HD-EL



Also available as collector plug, see page 46



GL 25 (m)
SymLine tube connection

C 106 711

T-Piece for pipes with GL 25 (m)

- 1x (ID) Ø 32 mm
- 1x GL 25 (m)
- 1x (OD) Ø 32 mm
- Dimensions: 120 x 70 x 56 mm
- Material = PE-HD-EL

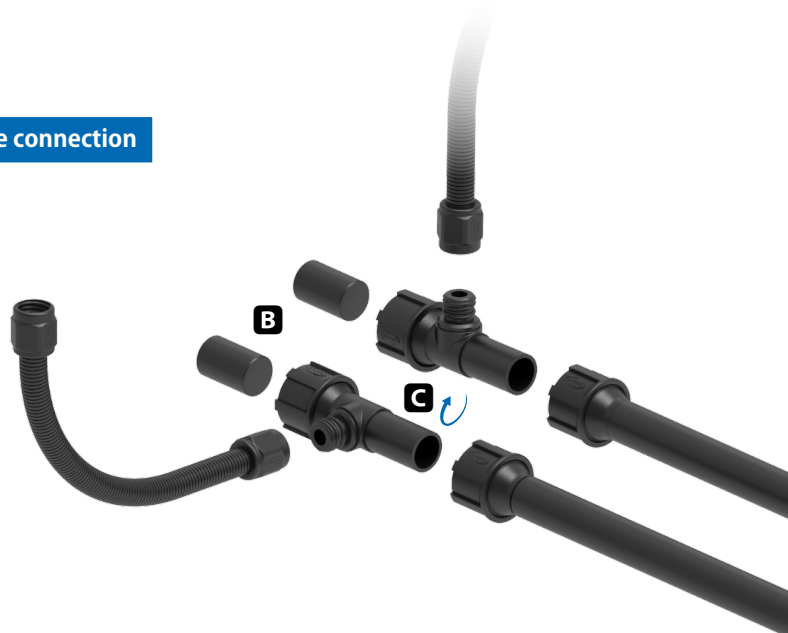


Fig.	Part No.	Description	Material
A	106 712	T-Piece, 2x Ø (ID) 32 mm, 1x Ø (OD) 32 mm	PE-HD-EL
B	106 423	Blind plug for screw connection Ø (OD) 32 mm	PE-HD-EL
C	106 711	T-Piece, 1x Ø (ID) 32 mm, 1x GL 25 (m), 1x Ø (OD) 32 mm	PE-HD-EL

Pipe System Curved Elements

A 106 421

Curved element for pipes

- 1x (ID) Ø 32 mm
- 1x (OD) Ø 32 mm
- Dimensions: 92 x 90 x 56 mm
- Material = PE-HD-EL



- Can be used variably
- Every angle reachable



Curved Elements

- Screw connection with Ø 32 mm inner diameter, end piece Ø 32 mm outside diameter or GL 25 tube connection
- PE-HD electrostatic conductive
- Can be combined with pipe and tube system

B 106 457

Curved element pipe to tube

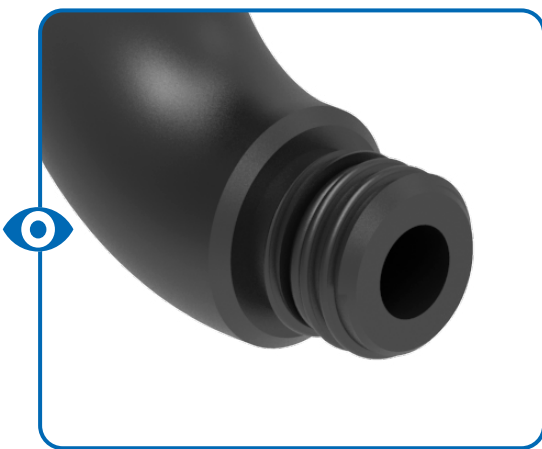
- with 2% decline
- 1x (ID) Ø 32 mm
- 1x GL 25 (m)
- Dimensions: 76 x 76 x 56 mm
- Material = PE-HD-EL



C 106 456

Curved element pipe to tube

- 1x (ID) Ø 32 mm
- 1x GL 25 (m)
- Dimensions: 84 x 90 x 56 mm
- Material = PE-HD-EL



GL 25 (m)
SymLine tube connection

Fig.	Part No.	Description	Material
A	106 421	Curved element, Ø (ID) 32 mm to Ø (OD) 32 mm	PE-HD-EL
B	106 457	Curved element with 2% decline, Ø (ID) 32 mm to GL 25 (m)	PE-HD-EL
C	106 456	Curved element, Ø (ID) 32 mm to GL 25 (m)	PE-HD-EL

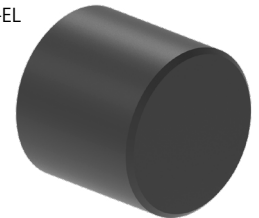
- Filling Units
- Feedthroughs
- Pipe System
- Tubing System
- Safety Waste Caps
- Ventilation
- Containers
- Level Control
- Safety Cabinets

Pipe System Accessories

- A** 106 729
Collector-Plug
 ■ For SymLine pipe system
 ■ Ø 32 mm



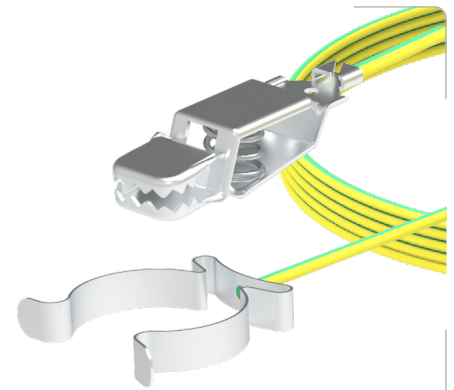
- B** 106 423
Blind plug
 ■ (OD) Ø 32 mm
 ■ Dimensions: 50 mm
 ■ Material = PE-HD-EL



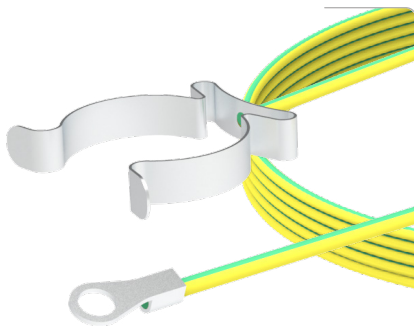
- C** 108 293
Thread adapter
 ■ GL 25 (m)
 ■ Pipe 50 mm OD



- D** 108 176
Grounding clip
 ■ L = 3 m



- E** 108 285
Grounding clip
 ■ L = 1.5 m



- F** 108 262
Grounding clip
 ■ L = 3 m

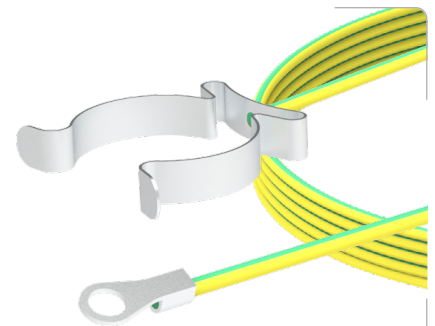


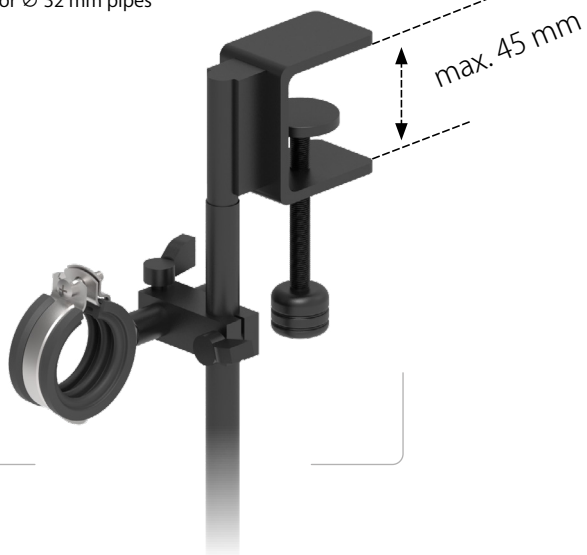
Fig.	Part No.	Description	Material
A	106 729	Collector-Plug for the SymLine pipe system, 32mm OD, PE-HD electrostatic conductive	PE-HD-EL
B	106 423	Blind plug for screw connection Ø (OD) 32 mm	PE-HD-EL
C	108 293	Thread adapter, PE-HD electrostatic conductive, GL 25 (m) to pipe 50 mm OD	PE-HD-EL
D	108 176	Grounding cable, 1x clip for Ø 32 mm pipe, 1x clamp, L = 3 m	
E	108 285	Grounding clip for Ø 32 mm pipe, with ring connector ID 5 mm, L = 1.5 m	
F	108 262	Grounding clip for Ø 32 mm pipe, with ring connector ID 5 mm, L = 3 m	

Pipe System Accessories

A 106 691

Table attachment

- For Ø 32 mm pipes



B 106 695

Wall attachment

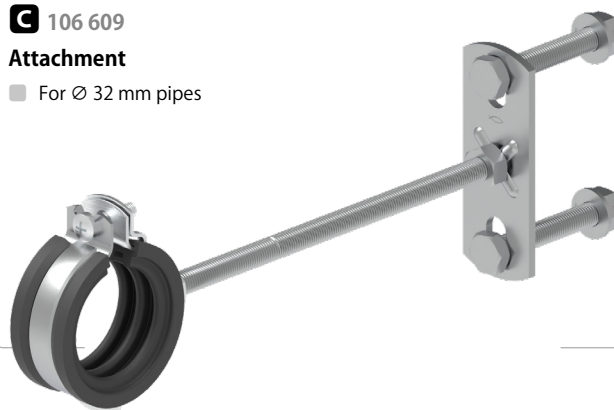
- For Ø 32 mm pipes
- 3 Fastening options:
 - Self-adhesive (mounting aid)
 - Screw fastening
 - Magnetic



C 106 609

Attachment

- For Ø 32 mm pipes



D 106 724

Hook wrench with nose

- Hook wrench with nose, for mounting the union nut on SymLine pipe systems (Ø 52 - 55 mm)

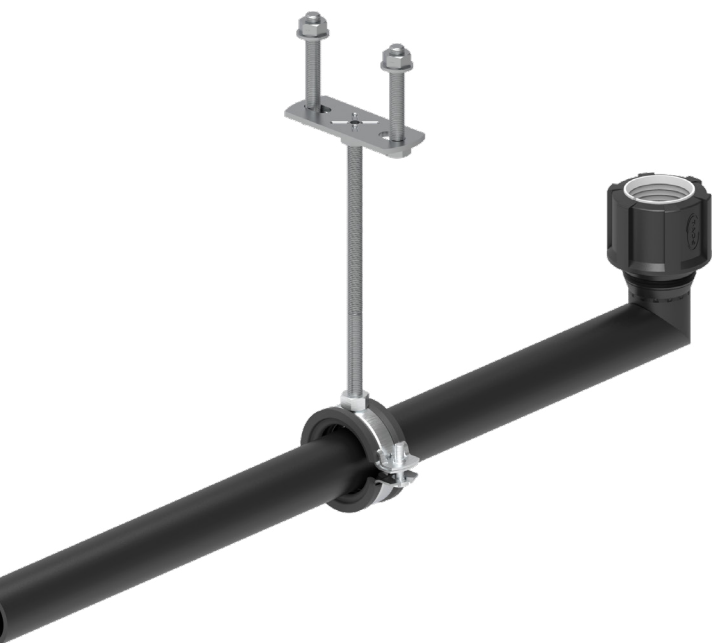
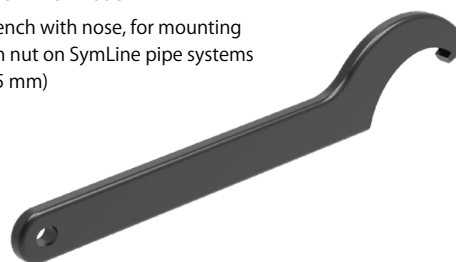


Fig.	Part No.	Description
A	106 691	Table attachment for Ø 32 mm pipes
B	106 695	Wall attachment for Ø 32 mm pipes
C	106 609	Attachment for Ø 32 mm pipes
D	106 724	Hook wrench with nose, for mounting the union nut on SymLine pipe systems (Ø 52 - 55 mm)